

# RTW Table

The RTW Table is a versatile, basic workstation. The height adjustability range of the table provides comfort for almost any employee and proves functional for a variety of tasks in manufacturing, material handling and laboratory environments. The four-post design provides superior stability and simplicity allowing you to focus on productivity.

Select sizes of the RTW Tables are available through our **ZIP**ship program. With **ZIP**ship, we process and ship your RTW Tables within four days of receiving your order for Item Numbers 3005, 3010, 3105 and 3110. Blue frame, White standard or Grey ESD laminate only. Maximum quantities apply.

Install a Riser Shelf to support instruments and equipment above the worksurface. This is a simple way to provide additional workspace and storage. The Riser Shelf is available with ESD laminate and can be integrated with power panels.

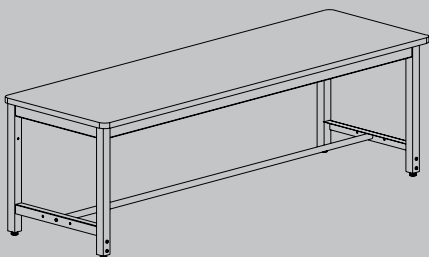
You may also choose Uprights to support accessories. Uprights are easily secured to the back of the RTW table and constructed of unistrut, similar to our signature C-Leg Series frames. Attach accessories with a Basic Nut and Bolt, then micro-adjust your accessories to the most comfortable position.



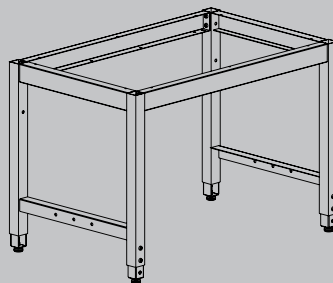
## General Information - RTW Table

- Stock color on all RTW Tables is Blue with White standard laminate or Grey ESD laminate.
- Other frame colors available upon request at no additional charge are Almond, White, Grey, and Black. See inside back cover.
- Other laminate colors available upon request at no additional charge are White, Beige and Grey.
- RTW Table base systems include all necessary parts, hardware and instructions needed to assemble and finish the workstation.
- Unless noted, worksurface depth (D) is always specified first in dimension notation. Station width (W) is specified second.
- Standard height adjustability range is 30-36" in 2" increments. RTW Leg Adjusters with height adjustability of 30-42" are also available. See the product detail in this section.
- All metal workstation components are constructed of 14 gauge steel.
- Workstation kits noted as "ESD" include ESD laminate and ground bolt.
- Laminate worksurfaces are constructed of 1.25" thick industrial grade particle board. ESD laminate measures within the static dissipative range of  $10^6$  to  $10^9$  ohms to ground.
- Choose accessories for your RTW Table on pages 55-76.
- Workstations accommodate up to 24" of vertical drawer space. Under-surface accessories and casters may reduce this range.
- RTW Tables are shipped KD (knocked down) and assembly is required unless otherwise ordered by customer.
- Riser Shelf accessory compatible only with Power Panel, Under-Shelf Light and below-worksurface accessories.
- RTW Table weight capacity is 750 pounds, evenly distributed, unless noted.
- Custom frame colors are available at an additional charge.
- Custom laminate colors are available at an additional charge.
- For options not specified in this section, review the Custom Options section of this Product Specifier (pages 77-83) or call Production Basics.

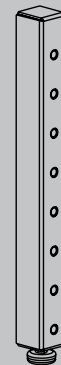
**NEW**



RTW Table- 96"W, pg. 28



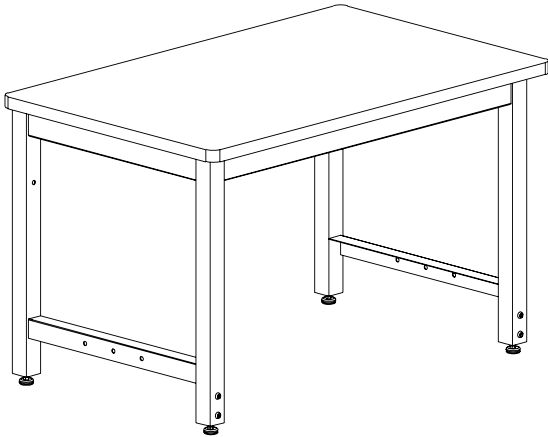
RTW Frame Only , pg. 29



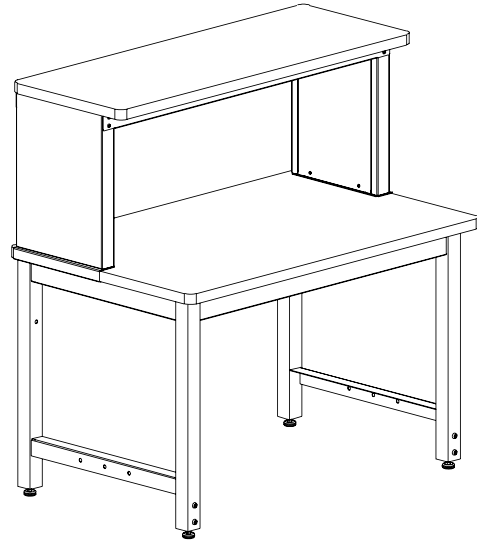
Leg Adjuster- up to 42" high,  
pg. 29

## Typical Configurations - RTW Table

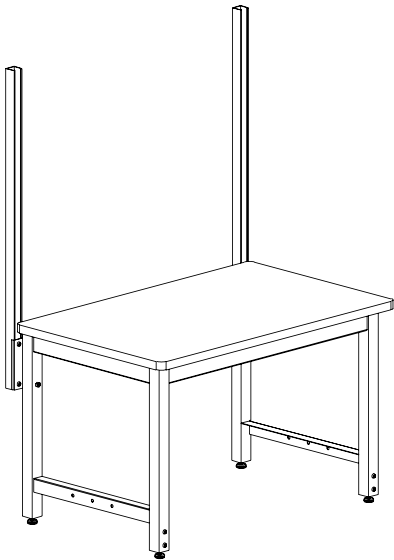
We have included a sampling of popular configurations to help you choose the ideal RTW workstation. For assistance choosing your workstations, call Production Basics at 800.318.2770.



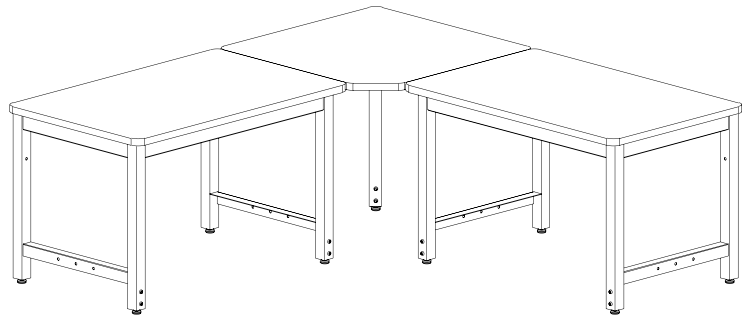
Stand-Alone



RTW with Riser Shelf



RTW Table with Uprights

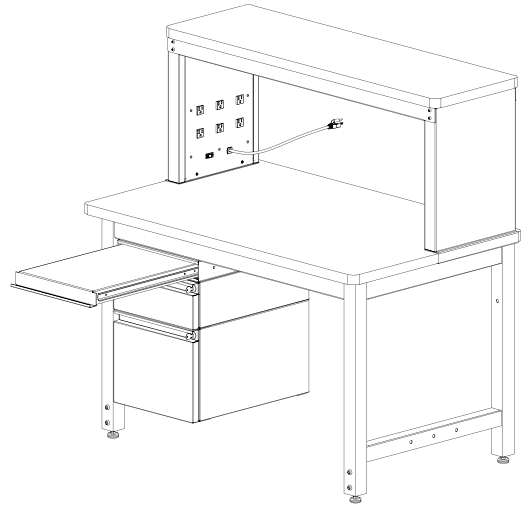


RTW Table Corner Configuration

# RTW TABLE> APPLICATION SPECIFIC RECOMMENDATIONS

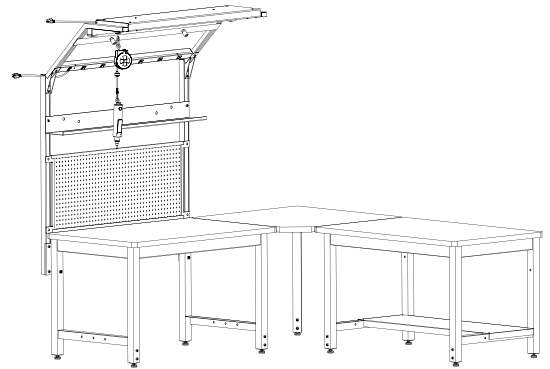
## Electronics Manufacturing

<u>Product Description</u>	<u>Item Number</u>
RTW Table, ESD, 30"D x 48"W	3100
Riser Shelf, ESD, 18"D x 48"W	8471
Riser Shelf Power Panel, 15 and 20 amp	8328
Writing Shelf/3" Drawer with Mounting Kit	8601
6" Drawer with Mounting Kit	8606
12" Drawer with Mounting Kit	8611



## Assembly & Manufacturing

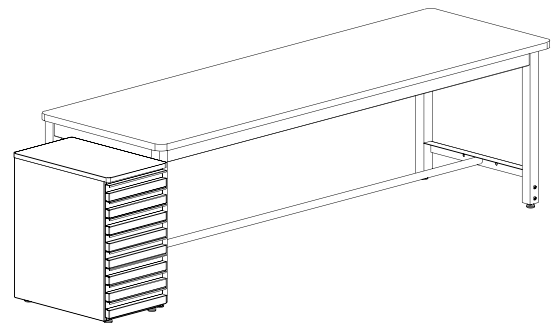
<u>Product Description</u>	<u>Item Number</u>
RTW Table, 30"D x 48"W (2)	3000
Uprights with Mounting Plates	8535
Overhead Light	8500
Tool Trolley System	8340
Tool Balancer	8357
Air Rail	8330
Power Rail, 15 amp	8320
Peg Board	8722
Tool Shelf & Bin Rail	8492
RTW Under-Surface Shelf	8476
Add-on Corner Station	3418



*Tool shown not included*

## Assembly & Manufacturing

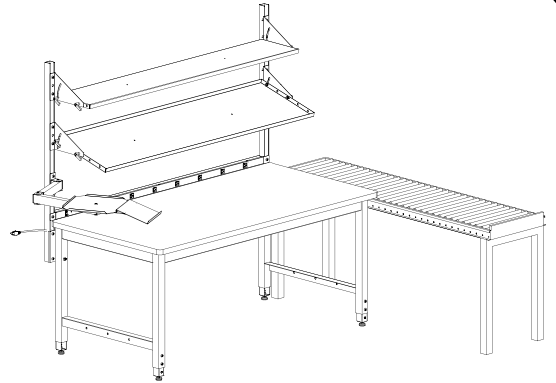
<u>Product Description</u>	<u>Item Number</u>
RTW Table, 30"D x 96"W	3018
Free Standing Drawer Units, 8-3" drawers	8571



# RTW TABLE > APPLICATION SPECIFIC RECOMMENDATIONS

## Material Handling

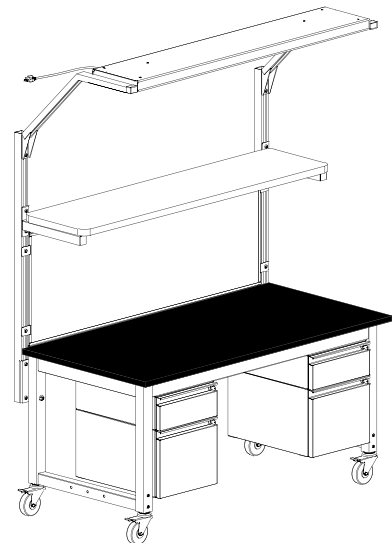
<u>Product Description</u>	<u>Item Number</u>
RTW Table, 36"D x 72"W	3011
Uprights with Mounting Plates	8535
Universal Shelf, 12"D x 72"W	8416
Universal Shelf, 18"D x 72"W	8396
Power Rail, 15 amp	8326
Tray Arm	8631
Tray Arm, Add-on Keyboard Support	8628



*Conveyor not included*

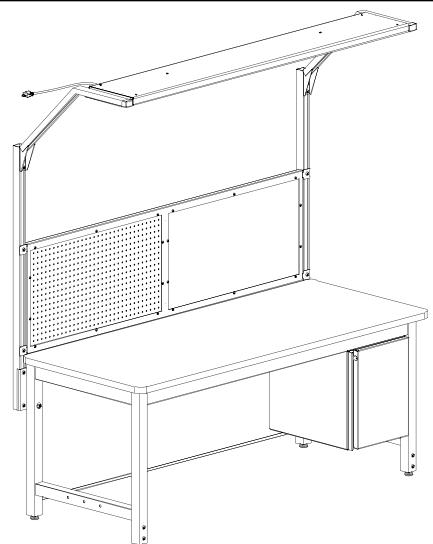
## Laboratory

<u>Product Description</u>	<u>Item Number</u>
RTW Table, Frame Only, 30"D x 60"W	3055
RTW Table Caster Option	8971
Phenolic Resin Worksurface, 30"D x 60"W	8002
Uprights with Mounting Plates	8535
Overhead Light, LED	8516
Laminate Shelf, 15"D x 60"W	8423
6" Drawer with Mounting Kit (2)	8606
12" Drawer with Mounting Kit (2)	8611
Tack Board	8733-G



## Laboratory

<u>Product Description</u>	<u>Item Number</u>
RTW Table, 30"D x 72"W	3010
Uprights with Mounting Plates	8535
Overhead Light, LED	8518
Peg Board/Magnetic Dry Erase Board Multi-Panel, 72"W x 20"H	8789
Modesty Panel	8753
Suspended Cabinet with Mounting Kit	8616



Product Details

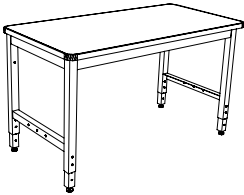
Description

Dimensions

Item Number

Notes

NEW  
SIZE



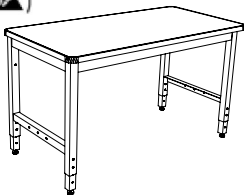
**RTW Table**

A versatile basic workbench with height adjustability and exceptional stability.

24"D x 36"W	3023	
24"D x 48"W	3020	
24"D x 60"W	3025	
24"D x 72"W	3028	
24"D x 96"W	3013	• 72"W frame
24"D x 96"W	3017	• 96"W frame, includes Tube Footrest
30"D x 36"W	3001	
30"D x 48"W	3000	
30"D x 60"W	3005	
30"D x 72"W	3010	
30"D x 96"W	3014	• 72"W frame
30"D x 96"W	3018	• 96"W frame, includes Tube Footrest
36"D x 36"W	3003	
36"D x 48"W	3002	
36"D x 60"W	3007	
36"D x 72"W	3011	
36"D x 96"W	3015	• 72"W frame
36"D x 96"W	3019	• 96"W frame, includes Tube Footrest



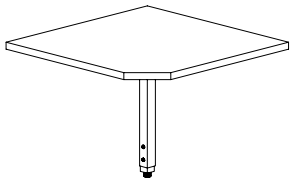
NEW  
SIZE



**RTW Table, ESD**

A versatile basic workbench with height adjustability, exceptional stability and an ESD laminate worksurface. Includes standard ground bolt and wire.

24"D x 36"W	3123	
24"D x 48"W	3120	
24"D x 60"W	3125	
24"D x 72"W	3128	
24"D x 96"W	3113	• 72"W frame
24"D x 96"W	3117	• 96"W frame, includes Tube Footrest
30"D x 36"W	3109	
30"D x 48"W	3100	
30"D x 60"W	3105	
30"D x 72"W	3110	
30"D x 96"W	3114	• 72"W frame
30"D x 96"W	3118	• 96"W frame, includes Tube Footrest
36"D x 36"W	3103	
36"D x 48"W	3102	
36"D x 60"W	3107	
36"D x 72"W	3111	
36"D x 96"W	3115	• 72"W frame
36"D x 96"W	3119	• 96"W frame, includes Tube Footrest



**RTW Add-On Corner**

A simple solution to create corner or wrap-around configurations with RTW Tables. Includes support leg, worksurface and hardware. Requires two (2) RTW Tables.

24"D x 36"W	3417	• compatible with 24"D RTW Tables
30"D x 36"W	3418	• compatible with 30"D RTW Tables
36"D x 48"W	3419	• compatible with 36"D RTW Table

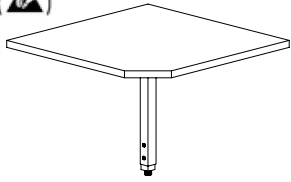
Product Details

Description

Dimensions

Item Number

Notes



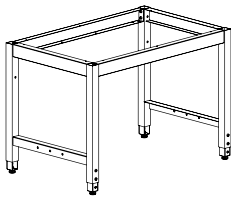
**RTW Add-On Corner, ESD**

A simple solution to create corner or wrap-around configurations with ESD RTW Tables. Includes support leg, ESD worksurface, hardware and standard ground bolt and wire. Requires two (2) RTW Tables.

24"D x 36"W  
30"D x 36"W  
36"D x 48"W

3517  
3518  
3519

• compatible with 24"D RTW Tables  
• compatible with 30"D RTW Tables  
• compatible with 36"D RTW Tables



**RTW Table, Frame Only**

Order the durable RTW Table frame and add your own worksurface. Dimensions refer to minimum recommended worksurface size.

24"D x 36"W  
24"D x 48"W  
24"D x 60"W  
24"D x 72"W  
24"D x 96"W  
30"D x 36"W  
30"D x 48"W  
30"D x 60"W  
30"D x 72"W  
30"D x 96"W  
36"D x 36"W  
36"D x 48"W  
36"D x 60"W  
36"D x 72"W  
36"D x 96"W

3033  
3051  
3054  
3064  
3084  
3063  
3050  
3055  
3060  
3085  
3030  
3052  
3057  
3061  
3087

• includes Tube Footrest  
  
• includes Tube Footrest  
  
• includes Tube Footrest

NEW



**RTW Leg Adjusters**

This leg will allow 12" of height adjustment in 2" increments on your RTW Table. Specify at time of order or retrofit an RTW in your facility.

8977

• 30"-42" height adjustment

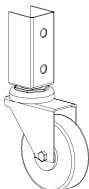
NEW



**RTW Table Caster Option, Height Adjustable**

Add mobility to your RTW Table. Specifies a specially designed RTW leg that maintains 30"-36" height adjustment in 2" increments. Ships with four (4) 4" thermoplastic casters with swivel locks.

NEW



**RTW Table Caster Option**

Add mobility to your RTW Table. Includes four (4) 4" thermoplastic casters with swivel locks. This total-lock feature ensures a rigid workstation. Surface height is fixed at 35".

8971

• fixed height at 35"