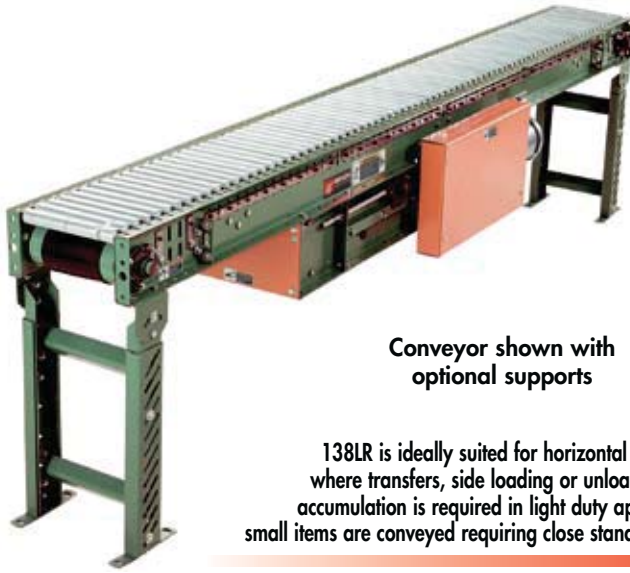
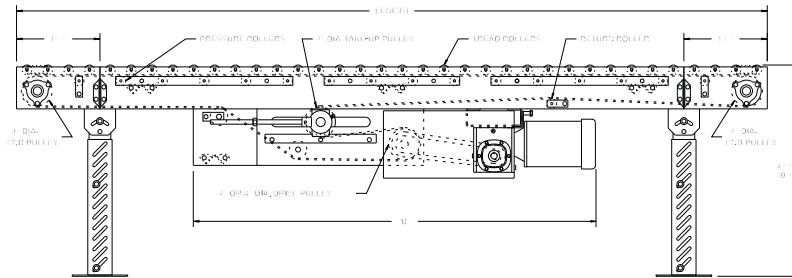
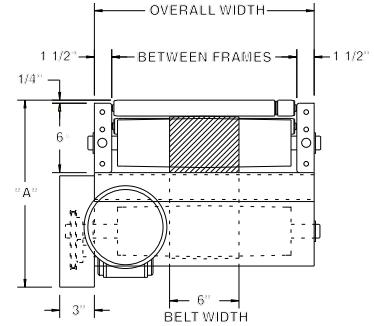


# MODEL 138LR LIGHT DUTY BELT DRIVEN LIVE ROLLER



Conveyor shown with optional supports

138LR is ideally suited for horizontal conveying of items where transfers, side loading or unloading, or temporary accumulation is required in light duty applications or when small items are conveyed requiring close standard roller spacing.



HP@ 60 FPM	"A" MAX		"B" MAX	
	4" DRV.	8" DRV.	4" DRV.	8" DRV.
1/3	15-5/8"	16-5/8"	58-5/32"	58-5/32"
1/2	15-5/8"	16-5/8"	58-5/32"	58-5/32"
3/4	16"	16-5/8"	58-25/32"	58-25/32"
1	16-1/4"	16-5/8"	59-17/32"	59-17/32"
1-1/2	17-1/8"	17-1/8"	61-21/32"	61-21/32"
2	18"	18"	62-21/32"	62-21/32"

## SPECIFICATIONS

**TREAD ROLLERS:** 1-3/8" dia. x 18 ga. galvanized steel, model 138G with 5/16" hex.

**PRESSURE ROLLERS:** 1-3/8" dia. x 18 ga. galvanized steel, model 138G with 5/16" hex.

**RETURN ROLLERS:** 1-3/8" dia. x 18 ga. galvanized steel, model 138G with 5/16" hex, adjustable.

**BELTING:** 6" wide black PVC-120 COS.

**CENTER DRIVE:** Reversible drive w/ 24" integral belt take-up. Specify location.

**DRIVE PULLEY:** 4" dia. with 1-3/16" dia. shaft or 8" dia. with 1-7/16" dia. shaft; both crowned and fully lagged.

**END PULLEY:** 4" dia., crowned, with 1-3/16" dia. shaft.

**SPEED:** 60 FPM, constant.

**BED:** 6" x 1-1/2" x 12 ga. channel frame slotted for tread rollers to pop-out. When unit is installed at 7'-0" elevation or higher, rollers must be retained in conveyor frame. Specify desired elevation. Bed sections attached with couplings and floor supports.

**SQUARING RODS:** Adjustable rods on underside of bed allow frame to be squared for improved belt tracking and are standard on all units over 30'.

**MOTOR DRIVE:** 1/3 HP, 230/460/3, 60 cycle, ODP right angle gear motor.

**BEARINGS:** All pulley bearings are precision, heavy duty, lubricated, ball bearing units with cast iron housings.

**ROLLER CHAIN:** Drive pulley is driven by No. 50 chain for 1-1/2 HP or less and No. 60 chain on larger drives. Chain take-up provided on motor base.

**ELECTRICAL CONTROLS:** Optional.



### ⚠️ WARNING

Pop-out rollers should be retained in frame if unit is elevated to 7'-0" and above.

**SPECIFICATION TABLE**

50'-0" lengths and under are equipped with 4" dia. drive pulley; over 50'-0" will have an 8" dia. drive pulley

■ 3 week shipment

CONVEYOR LENGTH			10'	20'	30'	40'	50'	60'	70'	80'	90'	100'	Deduct
BF	OAW	BELT	UNIT WEIGHTS (lbs.) with 1-1/2" Roller Center (For other centers, deduct weights below)										Per Foot
10"	13"	2-1/4"	403	614	825	1036	1247	1458	1669	1880	2091	2302	21
16"	19"	2-1/4"	502	776	1051	1325	1599	1874	2148	2422	2697	2971	27
22"	25"	2-1/4"	601	939	1276	1614	1952	2289	2627	2965	3302	3640	34

Deduct the following weights (lbs.) for other than 1-1/2" centers

CONVEYOR LENGTH		6'	10'	15'	20'	25'	30'	40'	50'	60'	70'	80'	90'	100'
BF	Roller Centers													
10"	3"	-36	-60	-90	-120	-150	-180	-240	-300	-360	-420	-480	-540	-600
16"	3"	-54	-90	-135	-180	-225	-270	-360	-450	-540	-630	-720	-810	-900
22"	3"	-72	-120	-180	-240	-300	-360	-480	-600	-720	-840	-960	-1080	-1200
10"	4-1/2"	-48	-80	-120	-160	-200	-240	-320	-400	-480	-560	-640	-720	-800
16"	4-1/2"	-72	-120	-180	-240	-300	-360	-480	-600	-720	-840	-960	-1080	-1200
22"	4-1/2"	-96	-160	-240	-320	-400	-480	-640	-800	-960	-1120	-1280	-1440	-1600

**OPTIONAL EQUIPMENT**

**BELTING:** 6" wide black PVC-150; 12" wide PVC-120.

**END DRIVE:** Mounted underneath conveyor. Minimum possible height is 20" TOR for underneath mounted end drive. Belt take-up required for end drive (if substituting end drive for center drive).

**SIDE MOUNTED END DRIVE:** Provides overall conveyor height of 9".

**AUXILIARY TAKE-UP:** Provides 24" of belt take-up. Specify location. See Power Accessories.

**FLOOR SUPPORTS:** Supports, knee braces, casters and polytier supports available. See Conveyor Accessories.

**CEILING HANGERS:** 5/8" dia. threaded rod with hardware to attach rods to conveyor. Provides 6' clearance between ceiling and TOR (furnished in place of floor supports). See Conveyor Accessories.

**MOTORS:** Available through 3 HP in TEFC, explosion proof, dirty duty, brake motor, 115/230/1, 575/3, etc.

**SPEED:** Constant speed 3-120 FPM; DC variable speed; AC inverter variable speed. Other constant or variable speeds available. **NOTE: CAPACITY CHANGES WITH SPEED.**

**GUARD RAILS:** 1-3/4" x 1" formed channel (model GC), adjusts horizontally to 8" wider than roller and vertically to 6" above roller; formed steel fixed (model FSG in 2", 4" and 6" heights; fixed channel (model FC); 1-1/2" angle (model GA1-1/2). See Conveyor Accessories.

**ELECTRICAL CONTROLS:** Magnetic starter (one direction or reversible); One direction manual starter; Momentary start/stop push button station; Forward/reversing /stop push button station. Mounting and pre-wiring for units up to 12' long.



POP-OUT ROLLERS (some rollers raised for clarity)

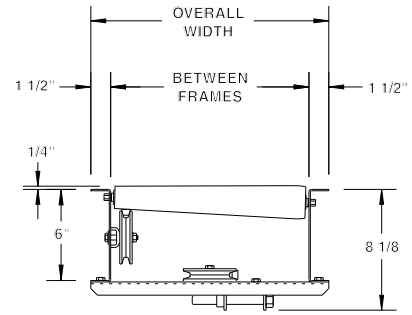


# MODEL 138LRC LIGHT DUTY BELT DRIVEN LIVE ROLLER CURVE

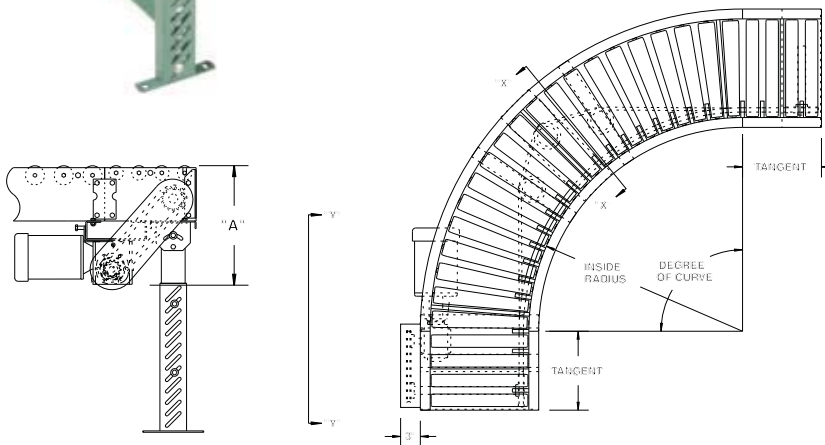


Conveyor shown with optional supports

Model 138LRC features tapered rollers to maintain product orientation. Reversible, it is also commonly slave driven from 138LR and 138VP making it the ideal curve in light duty applications.



HP@60 FPM	"A" MAX
1/3, 1/2	15-5/8"
3/4	16"
1	16-1/4"
1-1/2	17-1/8"
2	18"



## SPECIFICATIONS

**TREAD ROLLERS:** 1.9" dia. to 1-3/8" dia. x 16 ga. tapered rollers, model 138T; 1-3/8" dia. x 18 ga., model 138G w/ 5/16" hex, galvanized straight tangent rollers.

**ROLLER CENTERS:** 1-9/16" measured at inside radius of unit.

**PRESSURE SHEAVES:** Provides drive belt pressure to upper tread rollers.

**BELT:** "B" section V-belt.

**TAKE-UP:** Screw type adjustable sheave with flat idler sheaves to maintain belt tension.

**TANGENTS:** 12" both ends on 90° unit; 18" both ends on 45° unit.

**BED:** 6" x 1-1/2" x 12 ga. formed steel channel frame.

**SPEED:** 60 FPM, constant.

**BEARINGS:** End shafts are supported by precision, heavy duty, lubricated, ball bearing units with cast iron housings.

**ROLLER CHAIN:** Drive shaft is driven by No. 50 chain.

**MOTOR DRIVE:** 1/3 HP, 230/460/3, 60 cycle, ODP right angle gear motor, located at infeed end of curve below bed.

**DRIVE LOCATION:** Drive located on outside of curve. Specify left hand tangent length, right hand tangent length and drive location ("left hand drive" or "right hand drive"). NOTE: Drive hand determined with reference point located at outside of curve. For models slave driven (less drive), specify drive shaft location. See "determining drive location" on page 22.

**CAPACITY:** 300 lb. total distributed live load.

## OPTIONAL EQUIPMENT

**SPECIAL WIDTHS:** Consult factory for pricing of ALL widths not shown.

**GUARD RAILS:** See Conveyor Accessories for various type guard rails available.

**FLOOR SUPPORTS:** See Conveyor Accessories for various elevation and types.

**TANGENTS:** Lengths other than listed available. Combined total length must not exceed 6'-0".

**BELT SPEED:** Constant speed 10-120 FPM; AC & DC variable speed. Other constant or variable speeds available. **NOTE: CAPACITY CHANGES WITH SPEED.**

**MOTORS:** Available through 2 HP in TEFC, ex. proof, dirty duty, brake motor, 115/230/1, 575/3, etc.

**ELECTRICAL CONTROLS:** Magnetic & manual starters; push buttons, etc.

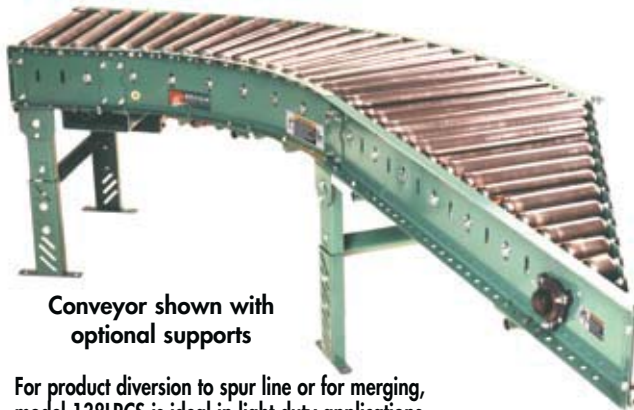
WEIGHTS (lbs.)				
BF	OAW	Inside Radius	90°	45°
10"	13"	2'-8-1/2"	317	309
16"	19"	2'-8-1/2"	362	350
22"	25"	2'-8-1/2"	407	388

**NOTE:** This unit is not recommended for accumulating loads.

■ 3 week shipment

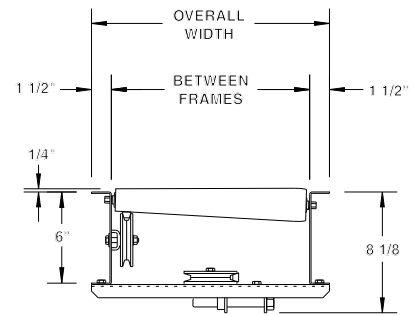


# MODEL 138LRCS LIGHT DUTY BELT DRIVEN LIVE ROLLER CURVE SPUR

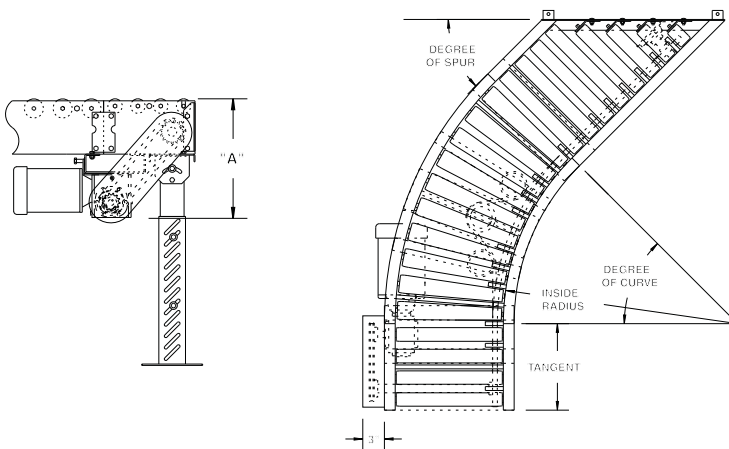


Conveyor shown with optional supports

For product diversion to spur line or for merging, model 138LRCS is ideal in light duty applications.



HP@60 FPM	"A" MAX
1/3, 1/2	15-5/8"
3/4	16"
1	16-1/4"
1-1/2	17-1/8"
2	18"



## SPECIFICATIONS

**TREAD ROLLERS:** 1.9" dia. to 1-3/8" dia. x 16 ga. tapered rollers, model 138T; 1-3/8" dia. x 18 ga., model 138G w/ 5/16" hex, galvanized straight tangent rollers.

**ROLLER CENTERS:** 1-9/16" measured at inside radius of unit.

**PRESSURE SHEAVES:** Provides drive belt pressure to upper tread rollers.

**BELT:** "B" section V-belt.

**TAKE-UP:** Screw type adjustable sheave with flat idler sheaves provided to maintain belt tension.

**TANGENTS:** 12" opposite spur end on 60°/30° unit; 18" opposite spur end on 45°/45° unit.

**SPEED:** 60 FPM, constant.

**BEARINGS:** End shafts are supported by precision, heavy duty, lubricated, ball bearing units with cast iron housings.

**BED:** 6" x 1-1/2" x 12 ga. formed steel channel frame.

**ROLLER CHAIN:** Drive shaft is driven by No. 50 chain.

**MOTOR DRIVE:** 1/3 HP, 230/460/3, 60 cycle, ODP right angle gear motor, located under tangent straight section bed.

**SPUR HAND/DRIVE LOCATION:** Drive located on outside of curve. Specify hand of spur as "left hand" or "right hand" and location of drive specified as "left hand drive" or "right hand drive". Drive location determined with reference point located at outside of curve (see "determining drive location" on pg. 22). For models slave driven (less drive), specify drive shaft location.

**CAPACITY:** 300 lb. total distributed live load.

## OPTIONAL EQUIPMENT

**SPECIAL WIDTHS:** Consult factory for pricing of ALL widths not shown.

**GUARD RAILS:** See Conveyor Accessories for various type guard rails available.

**FLOOR SUPPORTS:** See Conveyor Accessories for various elevation and types.

**TANGENTS:** Lengths other than listed available. Combined total length must not exceed 3'-0".

**BELT SPEED:** Constant speed 10-120 FPM; AC & DC variable speed. Other constant or variable speeds available. **NOTE: CAPACITY CHANGES WITH SPEED.**

**MOTORS:** Available through 2 HP in TEFC, ex. proof, dirty duty, brake motor, 115/230/1, 575/3, etc.

**ELECTRICAL CONTROLS:** Magnetic & manual starters; push buttons, etc.

WEIGHTS (lbs.)				
BF	OAW	Inside Radius	45°/45°	60°/30°
10"	13"	2'-8-1/2"	384	393
16"	19"	2'-8-1/2"	453	492
22"	25"	2'-8-1/2"	528	588

**NOTE:** This unit is not recommended for accumulating loads.

■ 3 week shipment



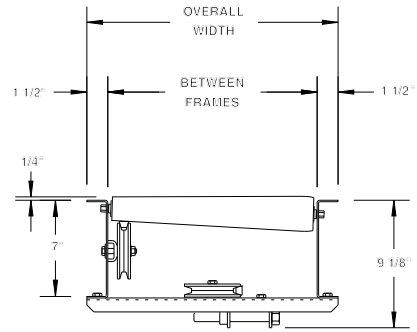
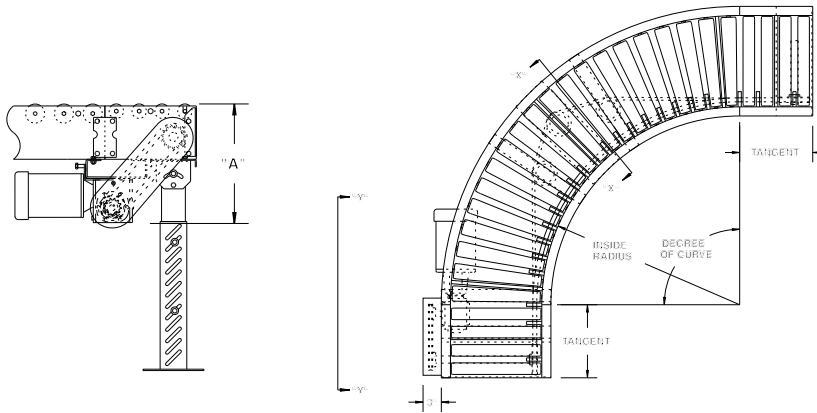
# MODEL 196LRC MEDIUM DUTY BELT DRIVEN LIVE ROLLER CURVE

24 HOUR SHIPMENTS INCLUDE 45°, 90° AND 180° CURVES

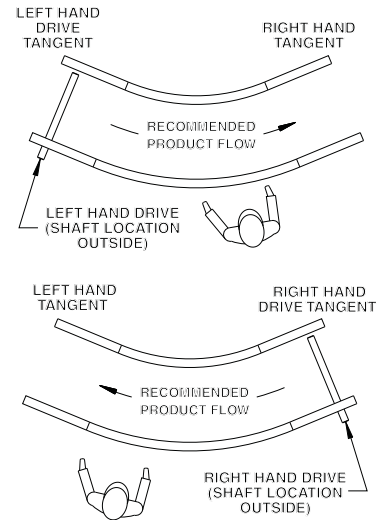


Conveyor shown with optional supports

Roach model 196LRC features tapered rollers to maintain product orientation. Reversible, it is also commonly slave driven from 196VP and 196CALR conveyors.



### DETERMINING DRIVE LOCATION



### SPECIFICATIONS

**TREAD ROLLERS:** 2-1/2" dia. to 1-11/16" dia. x 14 ga. steel tapered rollers, model 254T; 1.9" dia. x 16 ga. steel straight tangent rollers, model 196S.

**PRESSURE SHEAVES:** Provides drive belt pressure to upper tread rollers.

**BELT:** "B" section V-belt.

**TAKE-UP:** Screw type adjustable sheaves provided to maintain belt tension.

**TANGENTS:** 1'-0" both ends on 90°; 1'-6" both ends on 45°; 1'-0" both ends on 180°. Tangent roller centers provided on 3" RC.

**SPEED:** 60 FPM, constant.

**BED:** 7" x 1-1/2" x 12 ga. formed steel channel frame.

**BEARINGS:** End shafts are supported by precision, heavy duty, lubricated, ball bearing units with cast iron housings.

**ROLLER CHAIN:** Drive shaft is driven by No. 50 chain.

**DRIVE LOCATION:** Drive located on outside of curve. Specify left hand tangent length, right hand tangent length and drive location ("left hand drive" or "right hand drive"). NOTE: Drive hand determined with reference point located at outside of curve. For models slave driven (less drive), specify drive shaft location.

**CAPACITY:** 500 lb. total distributed live load.

**MOTOR DRIVE:** 1/3 HP, 230/460/3, 60 cycle, ODP right angle gear motor, located at infeed end of curve below bed on 45° and 90° curves; 3/4 HP supplied on all 180° curves.

**SPECIAL WIDTHS:** Consult factory for pricing of ALL widths not shown.

**ELECTRICAL CONTROLS:** Optional.

HP@60 FPM	"A" MAX
1/3, 1/2	16-5/8"
3/4	17"
1	17-1/4"
1-1/2	18-1/8"
2	19"

**NOTE:** This unit is not recommended for accumulating loads.



**SPECIFICATION TABLE**

■ 24 hour shipment

MODEL			196LRC - 180°			196-LRC - 90°			196LRC - 45°		
BF	OAW	INSIDE RADIUS	TAPERED ROLLERS	STRAIGHT ROLLERS	WT.	TAPERED ROLLERS	STRAIGHT ROLLERS	WT.	TAPERED ROLLERS	STRAIGHT ROLLERS	WT.
13"	16"	2'-8-1/2'	40	8	298	20	8	207	10	12	161
15"	18"	2'-8-1/2'	40	8	341	20	8	231	10	12	176
17"	20"	2'-8-1/2'	40	8	383	20	8	255	10	12	190
19"	22"	2'-8-1/2'	40	8	426	20	8	279	10	12	205
21"	24"	2'-8-1/2'	40	8	468	20	8	303	10	12	220
23"	26"	2'-8-1/2'	40	8	511	20	8	327	10	12	234
25"	28"	2'-8-1/2'	40	8	553	20	8	351	10	12	249
27"	30"	2'-8-1/2'	40	8	596	20	8	374	10	12	264
31"	34"	4'-0"	56	8	681	28	8	422	14	12	293
33"	36"	4'-0"	56	8	723	28	8	446	14	12	308
37"	40"	4'-0"	56	8	808	28	8	494	14	12	337
39"	42"	4'-0"	56	8	851	28	8	518	14	12	352

**OPTIONAL EQUIPMENT**

**SIDE MOUNTED END DRIVE:** Provides minimum overall conveyor height of 10".

**DRIVE:** Located on inside radius of curve.

**SPEED:** Constant speed 10-120 FPM; DC variable speed; AC inverter variable speed. Other constant or variable speeds available.

**FLOOR SUPPORTS:** See Conveyor Accessories for various elevation and types.

**CEILING HANGERS:** 5/8" dia. threaded rod with hardware to attach rods to conveyor. Provides 6' clearance between ceiling and TOR (furnished in place of floor supports). See Conveyor Accessories.

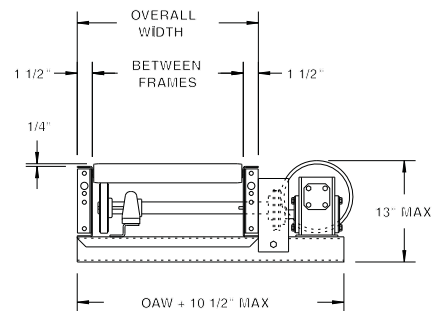
**TANGENT LENGTHS:** 1'-6", 2'-0", 2'-6", 3'-0", 3'-6", 4'-0", 4'-6" and 5'-0" tangent lengths available on 45° and 90°. Total combined length of tangents not to exceed 6'-0".

**GUARD RAILS:** 1-3/4" x 1" formed channel (model GC), adjusts horizontally to 8" wider than roller and vertically to 6" above roller; formed steel fixed (model FSG in 2", 4", 6", 8", 12" and 18" heights; 1-1/2" angle (model GA1-1/2). See Conveyor Accessories.

**MOTORS:** Available through 3 HP in TEFC, explosion proof, dirty duty, brake motor, 115/230/1, 575/3, etc.

**ELECTRICAL CONTROLS:** Magnetic starter (one direction or reversible); One direction manual starter; Momentary start/stop push button station; Forward/reversing/stop push button station.

**OPTIONAL SIDE MOUNTED END DRIVE**



UNDERNEATH MOUNTED DRIVE



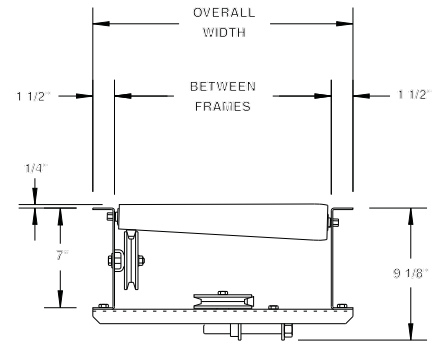
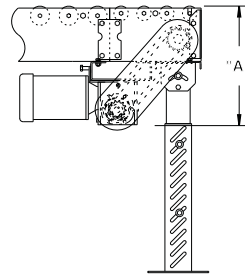
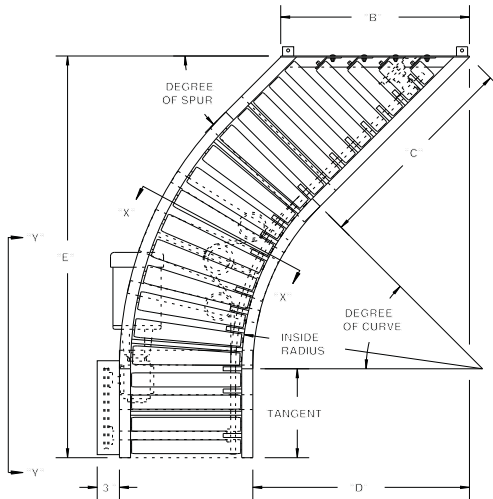
STRAIGHT TANGENT (located both ends of curve)

# MODEL 196LRCS MEDIUM DUTY BELT DRIVEN LIVE ROLLER CURVE SPUR

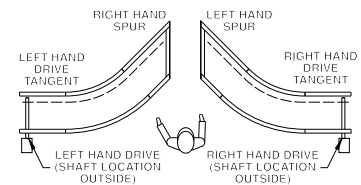
24 HOUR SHIPMENTS INCLUDE 45/45° & 60/30° CURVE SPURS

Conveyor shown with optional supports

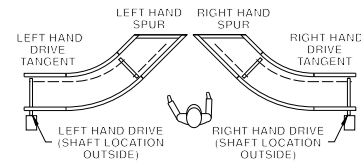
Model 196LRC features tapered rollers to maintain product orientation. Reversible, it is also commonly slave driven from 196VP and 196CALR conveyors.



DETERMINING DRIVE LOCATION



PERPENDICULAR LINE APPLICATION



PARALLEL LINE APPLICATION

## SPECIFICATIONS

**TREAD ROLLERS:** 2-1/2" dia. to 1-11/16" dia. x 14 ga. tapered rollers (model 254T); 1.9" dia. x 16 ga. (model 196S) straight tangent rollers.

**PRESSURE SHEAVES:** Provides drive belt pressure to upper tread rollers.

**BELT:** "B" section V-belt.

**TAKE-UP:** Screw type adjustable sheave with flat idler sheaves provided to maintain belt tension.

**TANGENTS:** 12" opposite spur end on 60/30 unit; 18" opposite spur end on 45/45 unit.

**BED:** 7" x 1-1/2" x 12 ga. formed steel channel frame.

**BEARINGS:** End shafts are supported by precision, heavy duty, lubricated, ball bearing units with cast iron housings.

**MOTOR DRIVE:** 1/3 HP, 230/460/3, 60 cycle, ODP right angle gear motor, located at infeed end of curve below bed.

**SPUR HAND/DRIVE LOCATION:** Drive located on outside of curve. Specify hand of spur as "left hand" or "right hand" and location of drive specified as "left hand drive" or "right hand drive".

NOTE: Drive location determined with reference point located at outside of curve. For models slave driven (less drive), specify drive shaft location.

**BELT SPEED:** 60 FPM, constant.

**ROLLER CHAIN:** Drive shaft is driven by No. 50 chain.

**CAPACITY:** 500 lb. total distributed live load.

**ELECTRICAL CONTROLS:** Optional.

HP@60 FPM	"A" MAX
1/3, 1/2	16-5/8"
3/4	17"
1	17-1/4"
1-1/2	18-1/8"
2	19"

NOTE: This unit is not recommended for accumulating loads.



**SPECIFICATION TABLE**

■ 24 hour shipment

UNIT			196LRCS - 45°/45°					196-LRCS - 60°/30°				
BF	OAW	INSIDE RADIUS	"B"	"C"	"D"	"E"	WT. (lbs.)	"B"	"C"	"D"	"E"	WT. (lbs.)
13"	16"	2'-8-1/2'	22-5/8"	26-1/2"	27-13/16"	58-21/32"	154	32"	37-1/8"	47-21/32"	57-13/32"	175
15"	18"	2'-8-1/2'	25-15/32"	28-1/2"	29-1/4"	60-3/32"	173	36"	40-9/16"	50-21/32"	59-1/8"	200
17"	20"	2'-8-1/2'	28-9/32"	30-1/2"	30-21/32"	61-1/2"	192	40"	44-1/32"	53-21/32"	60-7/8"	225
19"	22"	2'-8-1/2'	31-1/8"	32-1/2"	32-1/16"	62-29/32"	211	44"	47-1/2"	56-21/32"	62-19/32"	250
21"	24"	2'-8-1/2'	33-15/16"	34-1/2"	33-15/16"	65-5/16"	230	48"	50-31/32"	59-21/32"	64-11/32"	274
23"	26"	2'-8-1/2'	36-25/32"	36-1/2"	34-29/32"	65-23/32"	249	52"	54-9/16"	62-21/32"	66-1/16"	299
25"	28"	2'-8-1/2'	39-19/32"	38-1/2"	36-5/16"	67-5/32"	268	56"	57-29/32"	65-21/32"	67-13/16"	324
27"	30"	2'-8-1/2'	42-7/16"	40-1/2"	37-23/32"	68-9/16"	287	60"	61-3/8"	68-21/32"	69-17/32"	349
31"	34"	4'-0"	48-3/32"	44-1/2"	45-3/32"	82-11/32"	325	68"	68-9/32"	82-13/32"	86-13/32"	399
33"	36"	4'-0"	50-29/32"	46-1/2"	46-1/2"	83-25/32"	344	72"	71-3/4"	85-13/32"	88-5/32"	423
37"	40"	4'-0"	56-9/16"	50-1/2"	49-11/32"	86-19/32"	382	80"	78-11/16"	91-13/32"	91-5/8"	473
39"	42"	4'-0"	59-13/32"	52-1/2"	50-3/4"	88-1/32"	401	84"	82-5/32"	94-13/32"	93-11/32"	498

**OPTIONAL EQUIPMENT**

**SIDE MOUNTED END DRIVE:** Provides minimum overall conveyor height of 10".

**DRIVE:** Located on inside radius of curve.

**MOTORS:** Available through 3 HP in TEFC, explosion proof, dirty duty, brake motor, 115/230/1, 575/3, etc.

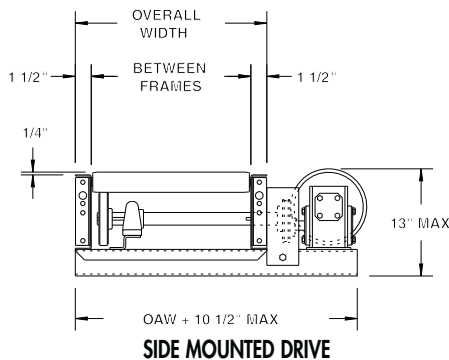
**SPEED:** Constant speed 10-120 FPM; DC variable speed; AC inverter variable speed. Other constant or variable speeds available.

**CEILING HANGERS:** 5/8" dia. threaded rod with hardware to attach rods to conveyor. Provides 6' clearance between ceiling and TOR (furnished in place of floor supports). See Conveyor Accessories.

**GUARD RAILS:** 1-3/4" x 1" formed channel (model GC), adjusts horizontally to 8" wider than roller and vertically to 6" above roller; formed steel fixed (model FSG in 2", 4", 6", 8", 12" and 18" heights; 1-1/2" angle (model GA1-1/2). See Conveyor Accessories.

**ELECTRICAL CONTROLS:** Magnetic starter (one direction or reversible); One direction manual starter; Momentary start/stop push button station; Forward/reversing /stop push button station.

**FLOOR SUPPORTS:** See Conveyor Accessories for various elevation and types.



**UNDERNEATH MOUNTED DRIVE**





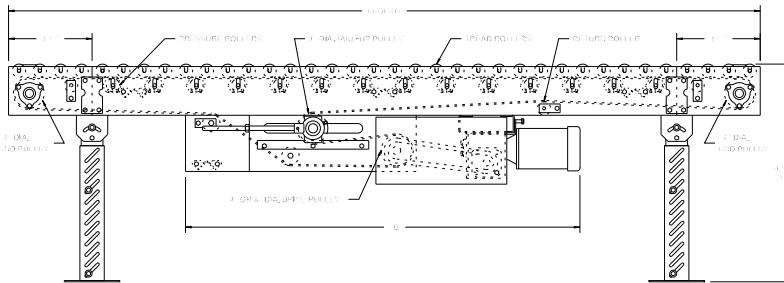
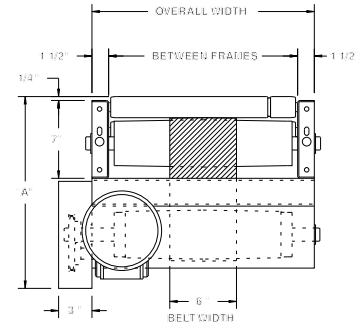
# MODEL 196CALR MEDIUM DUTY CAM ADJUSTED LIVE ROLLER

24 HOUR SHIPMENTS INCLUDE ALL 1-FOOT INCREMENTS 6'-0" TO 100'-0"



Conveyor shown with optional supports

Roach 196CALR is ideally suited for side loading, unloading or temporary accumulation. Its unique cam allows tread roller drive pressure to be adjusted in only seconds.



HP@ 60 FPM	"A" MAX		"B" MAX	
	4" DRV.	8" DRV.	4" DRV.	8" DRV.
1/3	16-5/8"	17-5/8"	58-5/32"	58-5/32"
1/2	16-5/8"	17-5/8"	58-5/32"	58-5/32"
3/4	17"	17-5/8"	58-25/32"	58-25/32"
1	17-1/4"	17-5/8"	59-17/32"	59-17/32"
1-1/2	18-1/8"	18-1/8"	61-21/32"	61-21/32"
2	19"	19"	62-21/32"	62-21/32"

## SPECIFICATIONS

**TREAD ROLLERS:** 1.9" dia. x 16 ga. steel rollers, model 196S.

**PRESSURE ROLLERS:** 1.9" dia. x 16 ga. steel, model 196S, cam adjustable.

**BELTING:** 6" wide black PVC-120 COS.

**CENTER DRIVE:** Reversible drive with 24" integral belt take-up. For units under 8'-0" overall length, drive components must be stacked. Consult factory for minimum unit elevation.

**SQUARING RODS:** Adjustable rods on underside of bed allow frame to be squared for improved belt tracking and are standard on all units over 30'.

**DRIVE PULLEY:** 4" dia. with 1-3/16" dia. shaft or 8" dia. with 1-7/16" dia. shaft, both crowned and fully lagged.

**END PULLEY:** 4" dia., crowned, with 1-3/16" dia. shaft.

**RETURN ROLLERS:** 1.9" dia. x 16 ga. steel, model 196S, adjustable.

**BED:** 7" x 1-1/2" x 12 ga. channel frame slotted for tread rollers to pop-out. When unit is installed at 7'-0" elevation or higher, rollers must be retained in conveyor frame. Specify desired elevation. Bed sections attached with couplings and floor supports.

**BEARINGS:** All pulley bearings are precision, heavy duty, lubricated, ball bearing units with cast iron housings.

**MOTOR DRIVE:** 1/3 HP, 230/460/3, 60 cycle, ODP right angle gear motor.

**ROLLER CHAIN:** Drive pulley is driven by No. 50 roller chain for 1-1/2 HP or less and No. 60 chain on larger drives. Chain take-up provided on motor base.

**SPEED:** 60 FPM, constant.

**ELECTRICAL CONTROLS:** Optional.



### WARNING

Pop-out rollers should be retained in frame if unit is elevated to 7'-0" and above.

**SPECIFICATION TABLE**

50'-0" lengths and under are equipped with 4" dia. drive pulley; over 50'-0" includes 8" dia. drive pulley

■ 24 hour shipment

CONVEYOR LENGTH			10'	20'	30'	40'	50'	60'	70'	80'	90'	100'	Deduct
BF	OAW	BELT	UNIT WEIGHTS (lbs.) with 3" Roller Center (For other centers, deduct weights below)										Per Foot
15"	18"	6"	489	755	1021	1287	1553	1819	2085	2351	2617	2883	27
19"	22"	6"	552	859	1167	1474	1781	2089	2396	2704	3011	3318	31
21"	24"	6"	584	912	1240	1568	1896	2224	2552	2880	3208	3536	33
25"	28"	6"	647	1016	1385	1755	2124	2494	2863	3232	3602	3971	37
27"	30"	6"	678	1068	1458	1848	2238	2629	3019	3409	3799	4189	39
33"	36"	6"	773	1225	1677	2129	2581	3033	3486	3938	4390	4842	45
39"	42"	6"	867	1381	1895	2410	2924	3438	3952	4467	4981	5495	51

Deduct the following weights (lbs.) for other than 3" centers

Tread Roller Centers	15" BF		19" BF		21" BF		25" BF		27" BF		33" BF		39" BF	
	Per 5'	Per 10'	Per 5'	Per 10'	Per 5'	Per 10'	Per 5'	Per 10'	Per 5'	Per 10'	Per 5'	Per 10'	Per 5'	Per 10'
4-1/2"	-23	-45	-28	-55	-30	-60	-35	-69	-37	-75	-45	-90	-53	-105
6"	-45	-90	-54	-108	-60	-120	-69	-138	-75	-150	-90	-180	-105	-210
9"	-63	-117	-75	-142	-84	-156	-94	-180	-105	-195	-126	-234	-147	-273
12"	-67	-135	-84	-164	-90	-180	-103	-207	-112	-225	-135	-270	-157	-315

**OPTIONAL EQUIPMENT**

**END DRIVE:** Mounted underneath conveyor. Minimum possible height is 20" TOR for underneath mounted end drive. Belt take-up required for end drive (if substituting end drive for center drive).

**SIDE MOUNTED END DRIVE:** Provides overall conveyor height of 10".

**192S TREAD ROLLERS:** 1.9" dia. x 12 ga. steel tread rollers, model 192S, available in model 192CALR.

**GALVANIZED ROLLERS:** Both tread and pressure rollers available in galvanized steel, model 196G. Specify tread only or both tread and pressure rollers.

**AUXILIARY TAKE-UP:** Provides 24" of belt take-up. Specify location. See Power Accessories.

**SPEED:** Constant speed 3-120 FPM; DC variable speed; AC inverter variable speed. Other constant or variable speeds available. **NOTE: CAPACITY CHANGES WITH SPEED.**

**BELTING:** 6" wide black PVC-150; 12" wide PVC-120.

**GUARD RAILS:** 1-3/4" x 1" formed channel (model GC), adjusts horizontally to 8" wider than roller and vertically to 6" above roller; formed steel fixed (model FSG in 2", 4" and 6" heights; fixed channel (model FC); 1-1/2" angle (model GA1-1/2). See Conveyor Accessories.

**CEILING HANGERS:** 5/8" dia. threaded rod with hardware to attach rods to conveyor. Provides 6' clearance between ceiling and TOR (furnished in place of floor supports). See Conveyor Accessories.

**FLOOR SUPPORTS:** Supports, knee braces, casters and polytier supports available. See Conveyor Accessories.

**MOTORS:** Available through 3 HP in TEFC, explosion proof, dirty duty, brake motor, 115/230/1, 575/3, etc.

**ELECTRICAL CONTROLS:** Magnetic starter (one direction or reversible); One direction manual starter; Momentary start/stop push button station; Forward/reversing /stop push button station. Mounting and pre-wiring for units up to 12' long.



POP-OUT ROLLERS (some rollers raised for clarity)



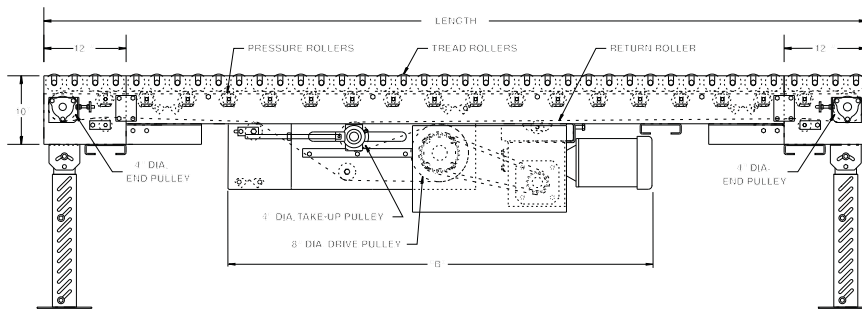
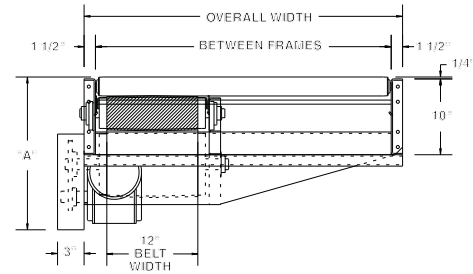
# MODEL 251CALR HEAVY DUTY CAM ADJUSTED LIVE ROLLER

24 HOUR SHIPMENTS INCLUDE ALL 1-FOOT INCREMENTS 6'-0" TO 100'-0"



Conveyor shown with optional supports

Roach 251CALR is the choice to horizontally convey heavier unit loads where transfers, side loading or unloading is required. Its standard center drive allows for reversible operation.



HP @ 35 FPM	"A" MAX	"B" MAX
1	17-5/8"	59-17/32"
1-1/2	18-1/8"	61-21/32"
2	19"	62-21/32"

NOTE: Chart applies for 8" dia. drive pulley only.

## SPECIFICATIONS

**TREAD ROLLERS:** 2-1/2" dia. x 11 ga. steel, model 251S.

**PRESSURE ROLLERS:** 1.9" dia. x 16 ga. steel, model 196S; same BF as conveyor up to 39" BF; units 43" BF and above, rollers are 21" BF with STANDARD 12" wide belt; 27" BF if OPTIONAL 24" belt is used.

**BELTING:** 12" wide PVC-120.

**RETURN ROLLERS:** 1.9" dia. x 16 ga. steel, model 196S, adjustable.

**CENTER DRIVE:** Reversible drive with 24" integral belt take-up. Specify location. For units under 8'-0" overall length, drive components must be stacked.

**END PULLEY:** 4" dia. with 1-3/16" dia. shaft on 15"-39" BF; 6" dia. with 1-7/16" dia. shaft above 39" BF; both crowned.

**DRIVE PULLEY:** 8" dia. with 1-7/16" dia. shaft on 15"-39" BF; 12" dia. with 1-15/16" dia. shaft above 39" BF; both crowned and fully lagged.

**BEARINGS:** Precision ABEC bearings.

**BED:** 7" x 1-1/2" x 10 ga. formed steel channel frame slotted for tread rollers to pop-out. When unit is installed at 7'-0" elevation or higher, rollers must be retained in conveyor frame. Specify desired elevation. Bed sections attached with couplings and floor supports.

**MOTOR DRIVE:** 1 HP, 230/460/3, 60 cycle, ODP right angle gear motor.

**SPEED:** 35 FPM, constant.

**ROLLER CHAIN:** Drive pulley is driven by No. 50 chain for 1-1/2 HP or less and No. 60 chain on larger drives. Chain take-up provided on motor base.

**ELECTRICAL CONTROLS:** Optional.



### WARNING

Pop-out rollers should be retained in frame if unit is elevated to 7'-0" and above.

**SPECIFICATION TABLE**

■ 24 hour shipment ■ 3 week shipment

CONVEYOR LENGTH			10'	20'	30'	40'	50'	60'	70'	80'	90'	100'	Deduct
BF	OAW	BELT	UNIT WEIGHTS (lbs.) with 3" Roller Centers (For other centers, deduct weights below)										Per Foot
15"	18"	12'	852	1336	1821	2305	2790	3274	3759	4243	4728	5212	48
21"	24"	12'	1052	1645	2239	2832	3425	4019	4612	5206	5799	6392	59
27"	30"	12'	1252	1954	2657	3359	4061	4763	5466	6168	6870	7573	70
33"	36"	12'	1452	2263	3074	3886	4697	5508	6319	7130	7942	8753	81
39"	42"	12'	1652	2572	3492	4412	5333	6253	7173	8093	9013	9933	92
43"	46"	12'	1852	2881	3910	4939	5968	6997	8026	9055	10084	11113	103
51"	54"	12'	2052	3190	4328	5466	6604	7742	8880	10018	11156	12294	114
57"	60"	12"	2252	3499	4746	5993	7240	8486	9733	10980	12227	13474	125

Deduct the following weights (lbs.) for other than 3" centers

Tread Roller Centers	15" BF	21" BF	27" BF	33" BF	39" BF	45" BF	51" BF	57" BF
	Per 10'	Per 10'	Per 10'	Per 10'	Per 10'	Per 10'	Per 10'	Per 10'
4-1/2"	-108	-136	-174	-208	-240	-272	-304	-336
6"	-178	-228	-292	-348	-402	-456	-510	-564
9"	-240	-308	-394	-470	-544	-618	-692	-766
12"	-266	-342	-438	-522	-602	-682	-762	-842

**OPTIONAL EQUIPMENT**

**END DRIVE:** Mounted underneath conveyor. Minimum possible height is 20" TOR for underneath mounted end drive. Belt take-up required for end drive (if substituting end drive for center drive).

**SIDE MOUNTED END DRIVE:** Provides overall conveyor height of 14-1/4". Specify elevation required on order.

**AUXILIARY TAKE-UP:** Provides 24" of belt take-up. Specify location. See Power Accessories.

**GUARD RAILS:** Formed steel fixed model HFSG in 2", 4" and 6" heights; 1-1/2" angle model HGA1-1/2). See Conveyor Accessories.

**CEILING HANGERS:** 5/8" dia. threaded rod with hardware to attach rods to conveyor. Provides 6' clearance between ceiling and TOR (furnished in place of floor supports). Consult factory.

**BELTING:** 12" wide black PVC-150; 24" wide PVC-120.

**FLOOR SUPPORTS:** Supports, knee braces, casters and polytier supports available. See Conveyor Accessories.

**SPEED:** Constant speed 8-120 FPM (12" dia. drive pulley); DC variable speed; AC inverter variable speed. Other constant or variable speeds available.

**NOTE: CAPACITY CHANGES WITH SPEED.**

**MOTORS:** Available through 3 HP in TEFC, explosion proof, dirty duty, brake motor, 115/230/1, 575/3, etc.

**ELECTRICAL CONTROLS:** Magnetic starter (one direction or reversible); One direction manual starter; Momentary start/stop push button station; Forward/reversing /stop push button station. Mounting and pre-wiring for units up to 12' long.



CALR CAM AND SERIAL PLATE