



2127 W. Nordale Drive
 Appleton, WI 54914
 Phone: (920) 380-0397
 Fax: (920) 380-0845
miked@allliftcranes.com
sales@allliftcranes.com
www.allliftcranes.com



FG-Series Fixed Height Gantry Crane 1 Ton - 5 Ton Capacity

Capacity (Pounds)	Model	Span	Hub Fixed	Beam Height	Flange Width	Caster Diameter	Unit Weight
1 Ton	FG1-812	8'	12'	6"	3-3/8"	8"	550#
1 Ton	FG1-1012	10'	12'	6"	3-3/8"	8"	575#
1 Ton	FG1-1212	12'	12'	6"	3-3/8"	8"	600#
1 Ton	FG1-1612	16'	12'	8"	4"	8"	775#
2 Ton	FG2-812	8'	12'	8"	4"	6"	675#
2 Ton	FG2-1012	10'	12'	8"	4"	6"	705#
2 Ton	FG2-1212	12'	12'	8"	4"	6"	805#
2 Ton	FG2-1612	16'	12'	12"	6 1/2"	6"	1,080#
3 Ton	FG3-812	8'	12'	8"	4"	6"	1,060#
3 Ton	FG3-1012	10'	12'	12"	6 1/2"	6"	1,145#
3 Ton	FG3-1212	12'	12'	12"	6 1/2"	6"	1,290#
3 Ton	FG3-1612	16'	12'	14"	8"	6"	1,640#
4 Ton	FG4-812	8'	12'	14"	8"	10"	1,470#
4 Ton	FG4-1012	10'	12'	14"	8"	10"	1,560#
4 Ton	FG4-1212	12'	12'	14"	8"	10"	1,650#
4 Ton	FG4-1612	16'	12'	14"	8"	10"	1,825#
5 Ton	FG5-812	8'	12'	16"	7-1/8"	10"	1,760#
5 Ton	FG5-1012	10'	12'	16"	7-1/8"	10"	1,840#
5 Ton	FG5-1212	12'	12'	16"	7-1/8"	10"	1,930#
5 Ton	FG5-1612	16'	12'	16"	7-1/8"	10"	2,245#

Effective 7/16

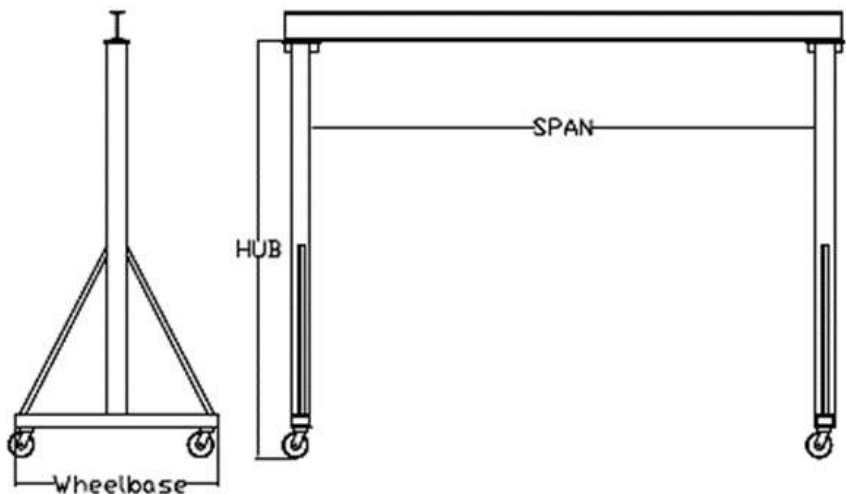
Other sizes and capacities available

NOTE:

- Includes (4) steel swivel casters with brakes.
- Standard wheel base on units above 5' 0".

Accessories: TG Tagline Kits
 Hoists & Trolleys

Options: Poly Casters
 V-Groove Casters & Track





2127 W. Nordale Drive
 Appleton, WI 54914
 Phone: (920) 380-0397
 Fax: (920) 380-0845
miked@allliftcranes.com
sales@allliftcranes.com
www.allliftcranes.com



TG-Series Telescoping Gantry Crane 1 Ton - 5 Ton Capacity

Capacity (Pounds)	Model	Span	Hub Adjustment	Beam Height	Flange Width	Caster Diameter	Unit Weight	
1 Ton	TG1-812	8'	8' - 12'	6"	3-3/8"	8"	780#	
1 Ton	TG1-1012	10'	8' - 12'	6"	3-3/8"	8"	805#	
1 Ton	TG1-1212	12'	8' - 12'	6"	3-3/8"	8"	850#	
1 Ton	TG1-1612	16'	8' - 12'	8"	4"	8"	1,020#	
2 Ton	TG2-812	8'	8' - 12'	8"	4"	6"	898#	
2 Ton	TG2-1012	10'	8' - 12'	8"	4"	6"	1,040#	
2 Ton	TG2-1212	12'	8' - 12'	8"	4"	6"	1,075#	
2 Ton	TG2-1612	16'	8' - 12'	12"	6 1/2"	6"	1,380#	
3 Ton	TG3-812	8'	8' - 12'	8"	4"	6"	1,250#	
3 Ton	TG3-1012	10'	8' - 12'	12"	6 1/2"	6"	1,420#	
3 Ton	TG3-1212	12'	8' - 12'	12"	6 1/2"	6"	1,460#	
3 Ton	TG3-1612	16'	8' - 12'	14"	8"	6"	1,820#	
4 Ton	TG4-812	8'	8' - 12'	14"	8"	10"	1,675#	
4 Ton	TG4-1012	10'	8' - 12'	14"	8"	10"	1,753#	
4 Ton	TG4-1212	12'	8' - 12'	14"	8"	10"	1,840#	
4 Ton	TG4-1612	16'	8' - 12'	14"	8"	10"	2,113#	
5 Ton	TG5-812	8'	8' - 12'	16"	7-1/8"	10"	1,890#	
5 Ton	TG5-1012	10'	8' - 12'	16"	7-1/8"	10"	1,940#	
5 Ton	TG5-1212	12'	8' - 12'	16"	7-1/8"	10"	2,195#	
5 Ton	TG5-1612	16'	8' - 12'	16"	7-1/8"	10"	2,440#	

Effective 7/16

Other sizes and capacities available

NOTE:

- Includes (4) steel swivel casters with brakes and (2) cable pullers.
- Standard wheel base on units above 5' 0".

Accessories: TG Tagline Kits
 Hoists & Trolleys

Options: Poly Casters
 V-Groove Casters & Track

