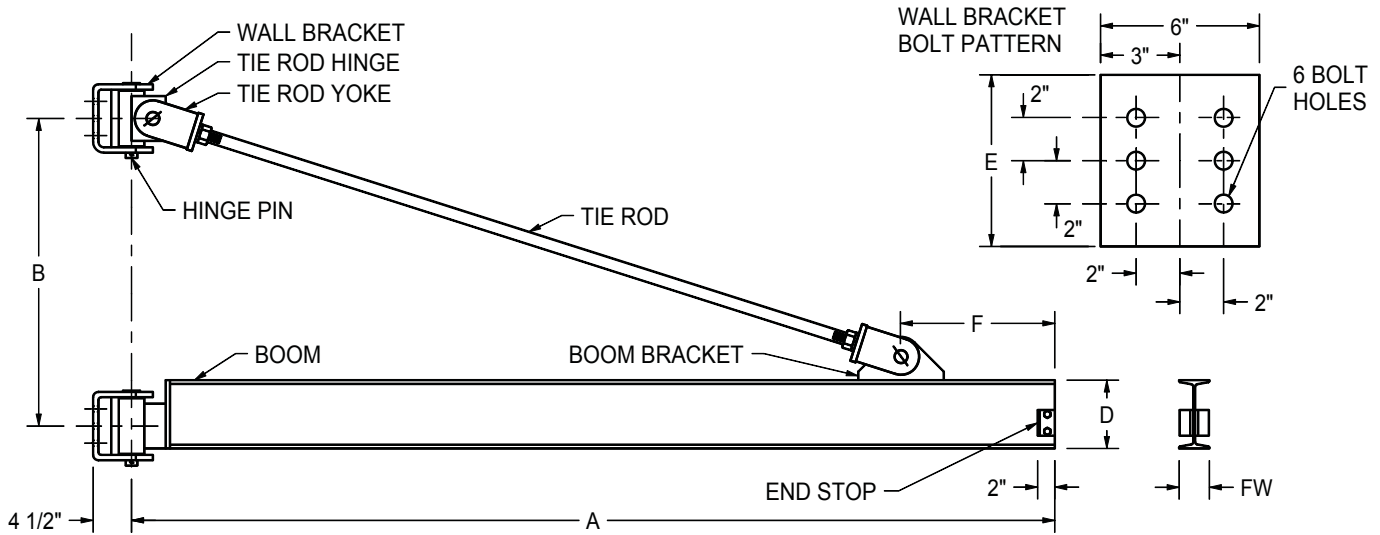


# WMC OVERBRACED TIE ROD JIB CRANE SPECIFICATIONS



MODEL NO.	CAPACITY	A	B	D	FW	E	F	BOLT HOLE DIA.	THRUST & PULL (LBS.)	WEIGHT (LBS.)
WMC508	500 LB.	8'	2'-9"	6"	3 3/8"	7"	1'-3"	9/16"	2367	202
WMC510	500 LB.	10'	3'-0"	6"	3 3/8"	7"	1'-6"	9/16"	2731	232
WMC512	500 LB.	12'	3'-9"	6"	3 3/8"	7"	2'-0"	9/16"	2648	261
WMC514	500 LB.	14'	4'-6"	6"	3 3/8"	7"	2'-0"	9/16"	2603	292
WMC516	500 LB.	16'	5'-6"	6"	3 3/8"	7"	2'-0"	9/16"	2463	323
WMC518	500 LB.	18'	6'-0"	8"	4"	7"	2'-0"	9/16"	2738	458
WMC520	500 LB.	20'	6'-6"	8"	4"	7"	2'-3"	9/16"	2860	500
WMC108	1000 LB.	8'	2'-9"	6"	3 3/8"	7"	1'-3"	9/16"	4118	202
WMC110	1000 LB.	10'	3'-0"	6"	3 3/8"	7"	1'-6"	9/16"	4720	232
WMC112	1000 LB.	12'	3'-9"	6"	3 3/8"	7"	2'-0"	9/16"	4545	261
WMC114	1000 LB.	14'	4'-6"	6"	3 3/8"	7"	2'-0"	9/16"	4440	292
WMC116	1000 LB.	16'	5'-6"	6"	3 3/8"	7"	2'-0"	9/16"	4175	323
WMC118	1000 LB.	18'	6'-0"	8"	4"	7"	2'-0"	9/16"	4499	458
WMC120	1000 LB.	20'	6'-6"	8"	4"	7"	2'-3"	9/16"	4662	500
WMC208	2000 LB.	8'	2'-9"	6"	3 3/8"	7"	1'-3"	9/16"	7681	202
WMC210	2000 LB.	10'	3'-0"	6"	3 3/8"	8"	1'-6"	11/16"	8766	242
WMC212	2000 LB.	12'	3'-9"	6"	3 3/8"	8"	2'-0"	11/16"	8406	272
WMC214	2000 LB.	14'	4'-6"	8"	4"	8"	2'-0"	11/16"	8312	384
WMC216	2000 LB.	16'	5'-6"	8"	4"	8"	2'-3"	11/16"	7802	426
WMC218	2000 LB.	18'	6'-0"	8"	4"	8"	2'-6"	11/16"	8082	467
WMC220	2000 LB.	20'	6'-0"	10-3/8"	5-3/4" WF	8"	2'-6"	11/16"	9266	671
WMC408	4000 LB.	8'	2'-9"	8"	4"	8"	1'-3"	11/16"	14822	297
WMC410	4000 LB.	10'	3'-0"	8"	4"	8"	1'-6"	11/16"	16895	341
WMC412	4000 LB.	12'	3'-9"	8"	4"	8"	1'-9"	11/16"	16182	386
WMC414	4000 LB.	14'	4'-6"	8"	4"	8"	2'-0"	11/16"	15724	431
WMC416	4000 LB.	16'	5'-6"	10-3/8"	5-3/4" WF	8"	2'-3"	11/16"	14880	607
WMC418	4000 LB.	18'	6'-0"	10-3/8"	5-3/4" WF	8"	2'-3"	11/16"	15384	668
WMC420	4000 LB.	20'	6'-6"	12-3/8"	6-1/2" WF	8"	2'-6"	11/16"	15973	811
WMC608	6000 LB.	8'	2'-9"	8"	4"	8"	1'-3"	13/16"	22070	317
WMC610	6000 LB.	10'	3'-3"	8"	4"	8"	1'-6"	13/16"	23193	364
WMC612	6000 LB.	12'	4'-0"	10-1/2"	5-3/4" WF	8"	1'-9"	13/16"	22668	560
WMC614	6000 LB.	14'	4'-9"	10-1/2"	5-3/4" WF	8"	2'-0"	13/16"	22251	631
WMC616	6000 LB.	16'	5'-6"	10-1/2"	5-3/4" WF	8"	2'-3"	13/16"	21966	702
WMC618	6000 LB.	18'	6'-3"	16"	7" WF	8"	2'-3"	13/16"	22160	963
WMC620	6000 LB.	20'	7'-0"	16"	7" WF	8"	2'-6"	13/16"	22056	1397

WF INDICATES THAT THIS JIB CRANE USES A WIDE-FLANGE BEAM. THE TROLLEY USED ON THIS CRANE MUST BE DESIGNED TO OPERATE ON A WIDE-FLANGE BEAM.

## CONSULT FACTORY FOR:

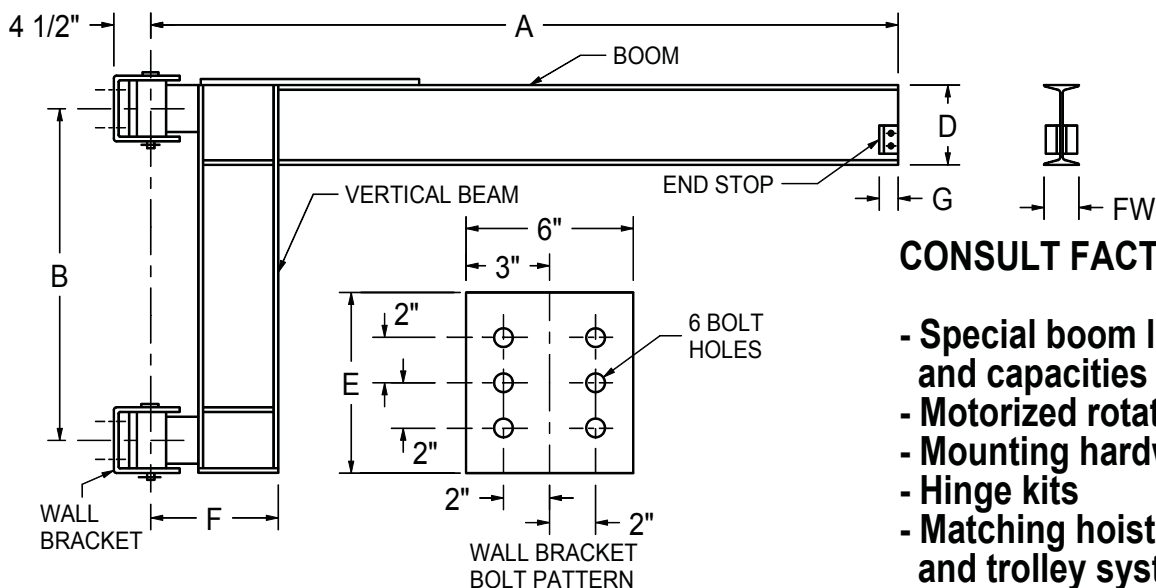
- Special boom lengths and capacities
- Motorized rotation
- Mounting hardware
- Hinge kits
- Matching hoist and trolley systems



1377 Kimberly Drive  
Neenah, WI 54956-1642  
Phone (920) 722-0101  
Fax (920) 725-1394

[www.contrx.com](http://www.contrx.com)

# WMCC FULL CANTILEVERED JIB CRANE SPECIFICATIONS



MODEL NO.	CAPACITY	A	B	D	FW	E	F	G	BOLT HOLE DIA.	THRUST & PULL (LBS.)	WEIGHT (LBS.)
WMCC508	500 LB.	8'	3'	6"	3 3/8"	7"	10"	2"	9/16"	2080	205
WMCC510	500 LB.	10'	3'	6"	3 3/8"	7"	10"	2"	9/16"	2641	230
WMCC512	500 LB.	12'	4'	6"	3 3/8"	7"	12"	2"	9/16"	2425	304
WMCC514	500 LB.	14'	4'	6"	3 3/8"	7"	12"	2"	9/16"	2871	329
WMCC516	500 LB.	16'	4'	8"	4"	7"	12"	2"	9/16"	3526	442
WMCC518	500 LB.	18'	4'	8"	4"	7"	12"	2"	9/16"	4049	479
WMCC520	500 LB.	20'	4'	10-3/8"	5-3/4" WF	7"	16-3/8"	2"	9/16"	4967	747
WMCC108	1000 LB.	8'	3'	8"	4"	7"	12"	2"	9/16"	3680	277
WMCC110	1000 LB.	10'	3'	8"	4"	7"	12"	2"	9/16"	4662	314
WMCC112	1000 LB.	12'	3'	8"	4"	7"	12"	2"	9/16"	5668	350
WMCC114	1000 LB.	14'	4'	8"	4"	7"	16-3/8"	2"	9/16"	5046	482
WMCC116	1000 LB.	16'	4'	10-3/8"	5-3/4" WF	7"	16-3/8"	2"	9/16"	6069	644
WMCC118	1000 LB.	18'	4'	10-3/8"	5-3/4" WF	7"	16-3/8"	2"	9/16"	6940	696
WMCC120	1000 LB.	20'	6'	12-3/8"	6-1/2" WF	7"	16-3/8"	2"	9/16"	5394	875
WMCC208	2000 LB.	8'	4'	8"	4"	7"	16-3/8"	2"	9/16"	5110	371
WMCC210	2000 LB.	10'	5'	10-3/8"	5-3/4" WF	8"	16-3/8"	2"	11/16"	5226	527
WMCC212	2000 LB.	12'	5'	10-3/8"	5-3/4" WF	8"	16-3/8"	2"	11/16"	6329	579
WMCC214	2000 LB.	14'	5'	10-3/8"	5-3/4" WF	8"	16-3/8"	2"	11/16"	7453	631
WMCC216	2000 LB.	16'	6'	12-3/8"	6-1/2" WF	8"	16-3/8"	2"	11/16"	7272	765
WMCC218	2000 LB.	18'	6'	16"	7" WF	8"	16"	2"	11/16"	8561	1083
WMCC220	2000 LB.	20'	6'	16"	7" WF	8"	16"	2"	11/16"	9643	1163
WMCC408	4000 LB.	8'	4'	12-3/8"	6-1/2" WF	8"	16-3/8"	2"	11/16"	9823	469
WMCC410	4000 LB.	10'	4'	12-3/8"	6-1/2" WF	8"	16-3/8"	2"	11/16"	12359	529
WMCC412	4000 LB.	12'	4'	12-3/8"	6-1/2" WF	8"	16-3/8"	2"	11/16"	14924	589
WMCC414	4000 LB.	14'	5'	16"	7" WF	8"	16"	2"	11/16"	14240	887
WMCC416	4000 LB.	16'	6'	21"	6-1/2" WF	8"	16"	3"	11/16"	14052	1256
WMCC418	4000 LB.	18'	6'	21"	6-1/2" WF	8"	18"	3"	11/16"	15998	1465
* WMCC420	4000 LB.	20'	7'-6"	23 3/4"	7" WF	8"	18"	3"	11/16"	14521	1840
WMCC608	6000 LB.	8'	4'	16"	7" WF	8"	18"	2"	11/16"	14675	679
WMCC610	6000 LB.	10'	4'	16"	7" WF	8"	18"	2"	11/16"	18448	759
WMCC612	6000 LB.	12'	6'	16"	7" WF	8"	22"	2"	11/16"	14871	974
WMCC614	6000 LB.	14'	6'	16"	7" WF	8"	22"	2"	11/16"	17440	1054
WMCC616	6000 LB.	16'	6'-6"	21"	6-1/2" WF	8"	22"	3"	11/16"	18844	1402
* WMCC618	6000 LB.	18'	7'-6"	23 3/4"	7" WF	8"	22"	3"	11/16"	18629	1743
* WMCC620	6000 LB.	20'	9'-6"	23 3/4"	7" WF	8"	22"	3"	13/16"	16512	2135

WF INDICATES THAT THIS JIB CRANE USES A WIDE-FLANGE BEAM. THE TROLLEY USED ON THIS CRANE MUST BE DESIGNED TO OPERATE ON A WIDE-FLANGE BEAM.

\* THESE CRANES SHIP IN TWO PIECES AND HAVE BOLT ON BOOMS.



1377 Kimberly Drive  
Neenah, WI 54956-1642  
Phone (920) 722-0101  
Fax (920) 725-1394

[www.contrx.com](http://www.contrx.com)